

# GR-PEACH(mbed-RZ/A1) Circuit schematic 【 X28A-M01-E 】

Released under the Creative Commons Attribution Share-Alike 3.0 License  
<http://creativecommons.org/licenses/by-sa/3.0>

GR-PEACH Design by Core Corporation

SHT.1 Title Sheet  
SHT.2 MBED-IF / Serial Flash / Switch / LED Block  
SHT.3 USB Host/Function / ETHER / SD Slot Block  
SHT.4 Expansion I/F / Arduino / WIFI / Xbee Block  
SHT.5 CPU Power / Clock Block  
SHT.6 PINMAP

Core Co.Ltd.,

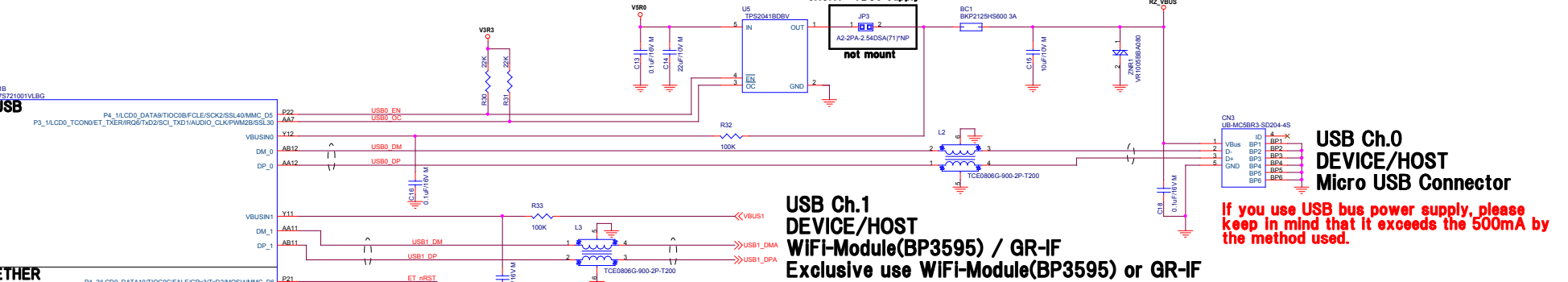
Title	GR-PEACH(mbed-RZ/A1) Board Circuit	
Size	Document Number	Rev
	X28A-M01-E	0
Date	Thursday, June 11, 2015	Sheet 1 of 6



# SHT.3 USB Host/Function / ETHER / SD Slot Block

## VBUS Supply Jumper

OPEN : VBUS not Supply  
SHORT : VBUS Supply



If you use USB bus power supply, please keep in mind that it exceeds the 500mA by the method used.

REGOFF = 0  
Internal Regulator Enable

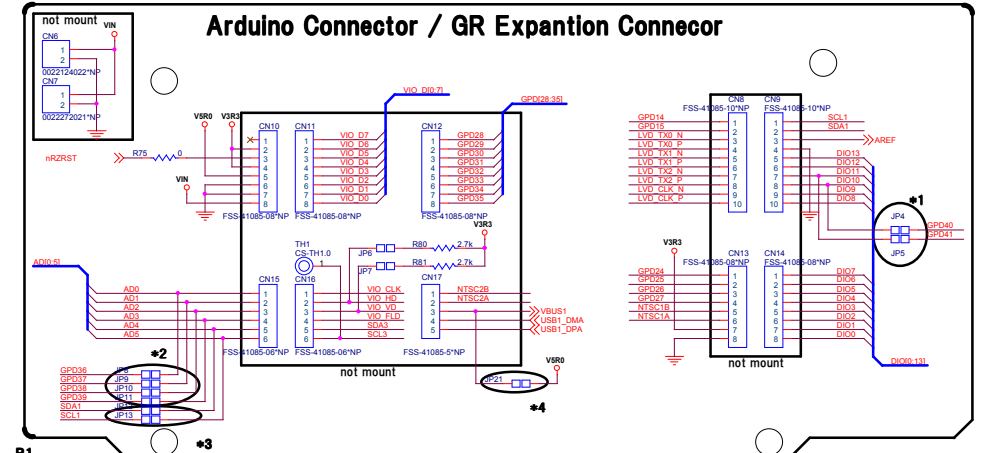
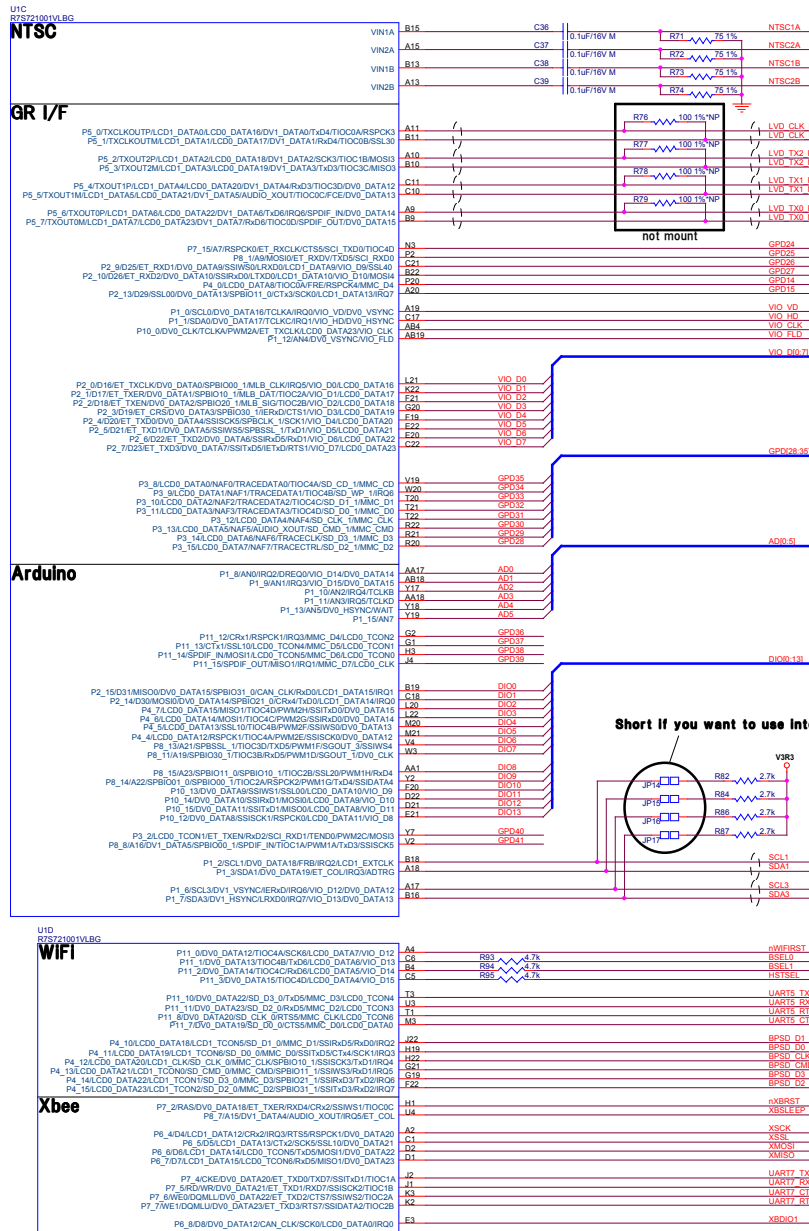
INTSEL = 1  
Interrupt Function Enable

INTSEL 18pin Pull-Down : TX ER/TXD4  
RMISEL 9pin Pull-Down : MI MODE  
MODE0 10 1 1pin Pull-Up : Auto-negotiation Enable  
PHYAD0 1 100

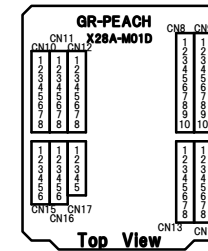
<b>Core Co.Ltd.,</b>		
File	GR-PEACH(imbed-RZ/A1) Board Circuit	
Size	Document Number	Rev
	X28A-M01-E	0
Date	Thursday, June 11, 2015	Sheet 3 of 6

Notice: This board is not compatible with 5V tolerant signal.

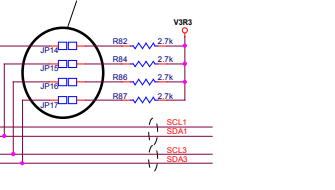
# SHT.4 Expansion I/F / Arduino / WIFI / Xbee Block



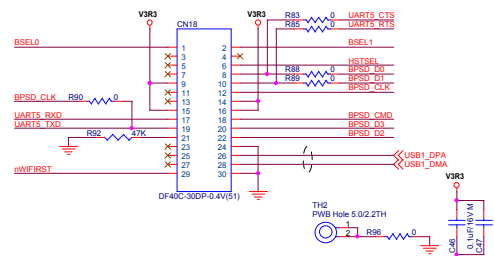
- \*1 : Short if you want to use PWM Signal
- \*2 : Short if you want to use LCD-IF(RGB+\*)
- \*3 : Short if you want to use I2C I/F
- \*4 : Short if you want to use WIFI-Module(Rohm BP3595)



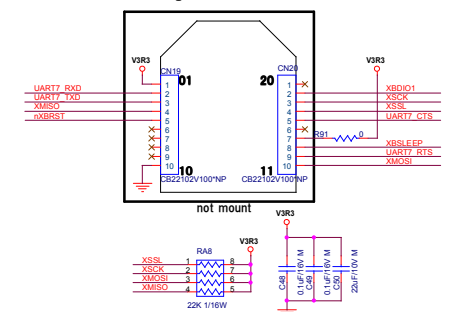
Short if you want to use Internal pull-up resistor



## WIFI Module (ROHM BP3595) Exclusive I/F UART or USB



## Xbee/Zigbee Module I/F



**Core Co.Ltd.,**

File	GR-PEACH(imbed-RZ/A1) Board Circuit
Size	Document Number X28A-M01-E
Rev	0
Date	Thursday, June 11, 2015
Sheet	4 of 6

Notice: This board is not compatible with 5V tolerant signal.



